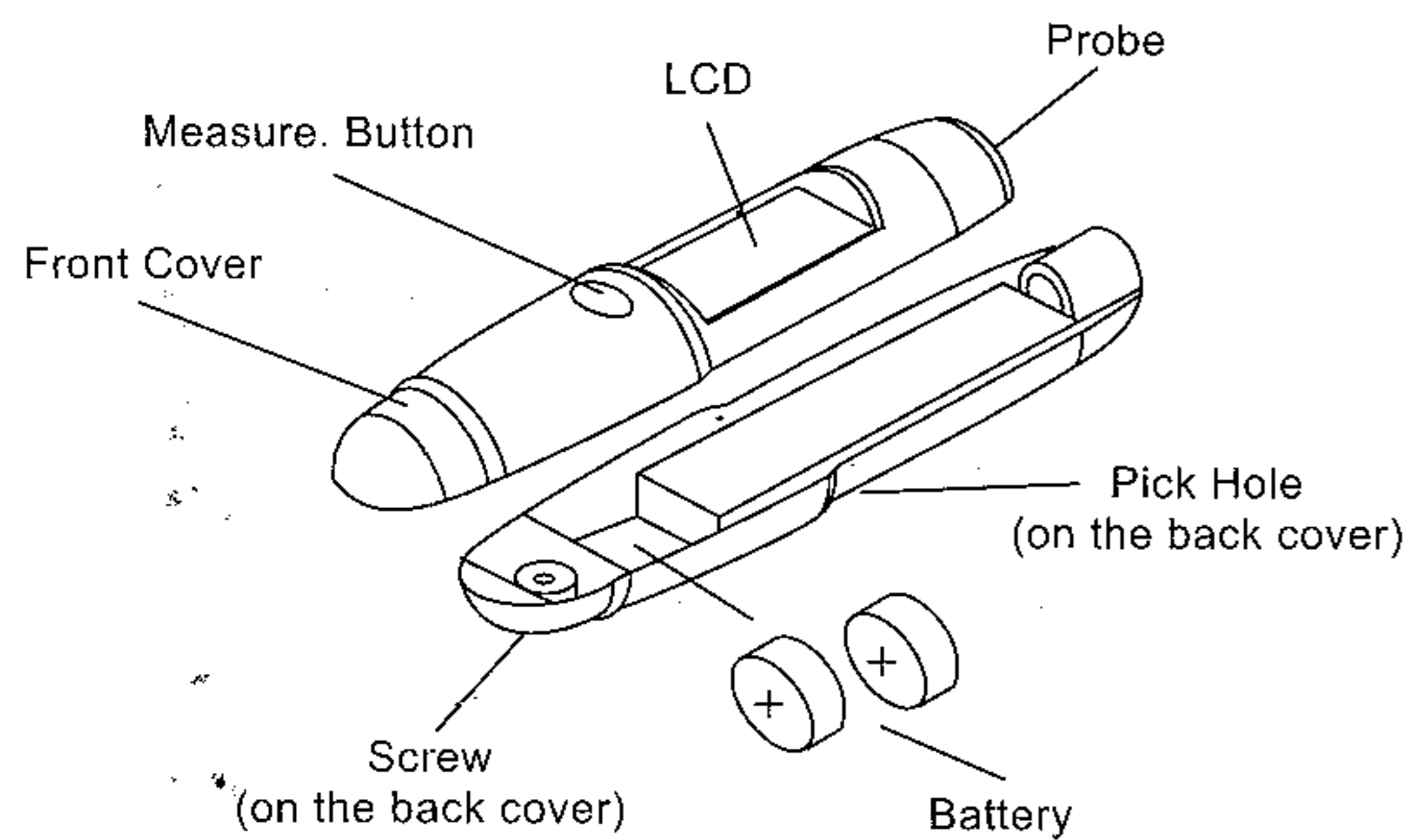


Operating Instructions

MODEL MT100 COMPACT INFRARED THERMOMETER

The MT100 digital thermometer is a non-contact infrared thermometer.

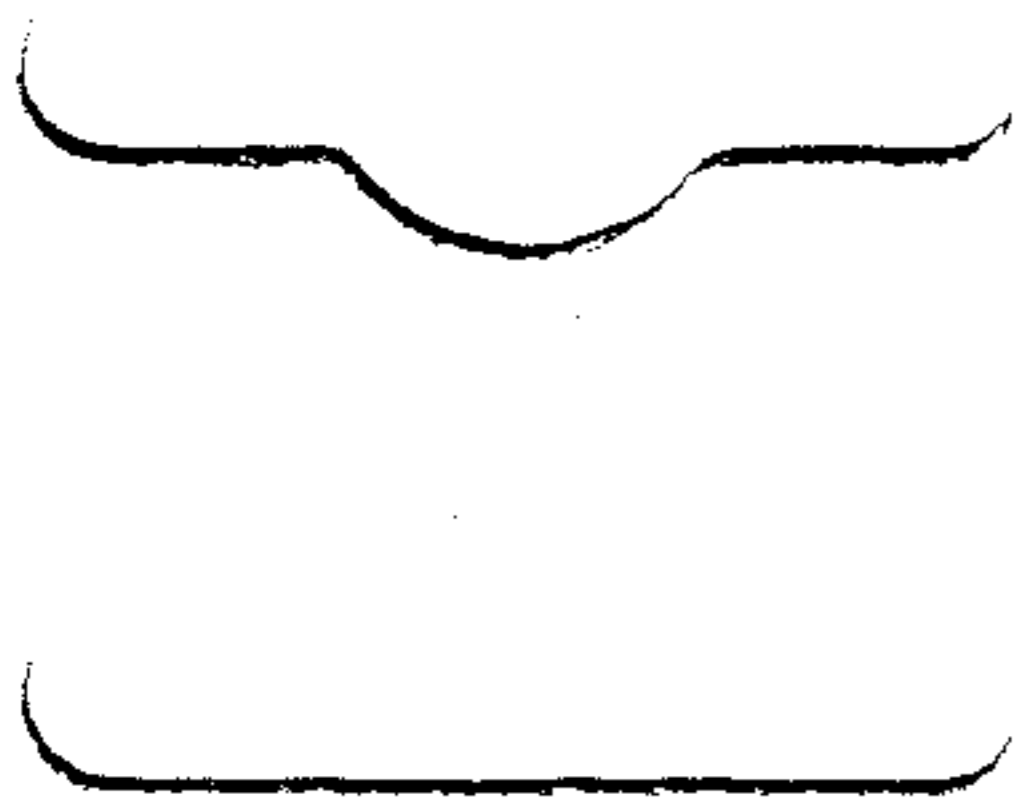


USE:

Simply aim the thermometer at the target with the probe and press the Meas. (Measurement) button to display the surface temperature. Position the thermometer as close to the target as possible, to get the most accurate results.

FAHRENHEIT° / CELSIUS°

The MT100 thermometer can easily be changed from degree Celsius (°C) to degree Fahrenheit (°F) by pressing the pick hole under the back cover with a pointed object.



BATTERY REPLACEMENT:

A flashing battery icon in the LCD indicates a low battery. To replace a low battery, confirm that the unit power is OFF, loosen the screw on the back cover and replace both of the old batteries. The MT100 requires two (2) LR44 1.5v cell batteries.

NOTE:

Dispose of all used batteries properly and keep all batteries away from children.

Measurement Range: -33~110 °C (-27.4~230 °F)

Operating Range: 0~50 °C (32~122 °F)

Storage Range: -20~65 °C (-4~149 °F)

Distance:Spot Ratio: 1:1

Accuracy (Tamb=23±3 °C): +/-2.5% of reading or 2.5 °C (4.5 °F) whichever is greater

Resolution: 0.2 °C /0.5 °F

Response Time (90%): 1sec

Emissivity Range: 0.95 fixed

Auto switching-off: 15sec



SPARK INDUSTRIES

2363 TELLER RD. SUITE 104

THOUSAND OAKS, CA 91320 USA

WWW.SPARKINDUSTRIES.NET